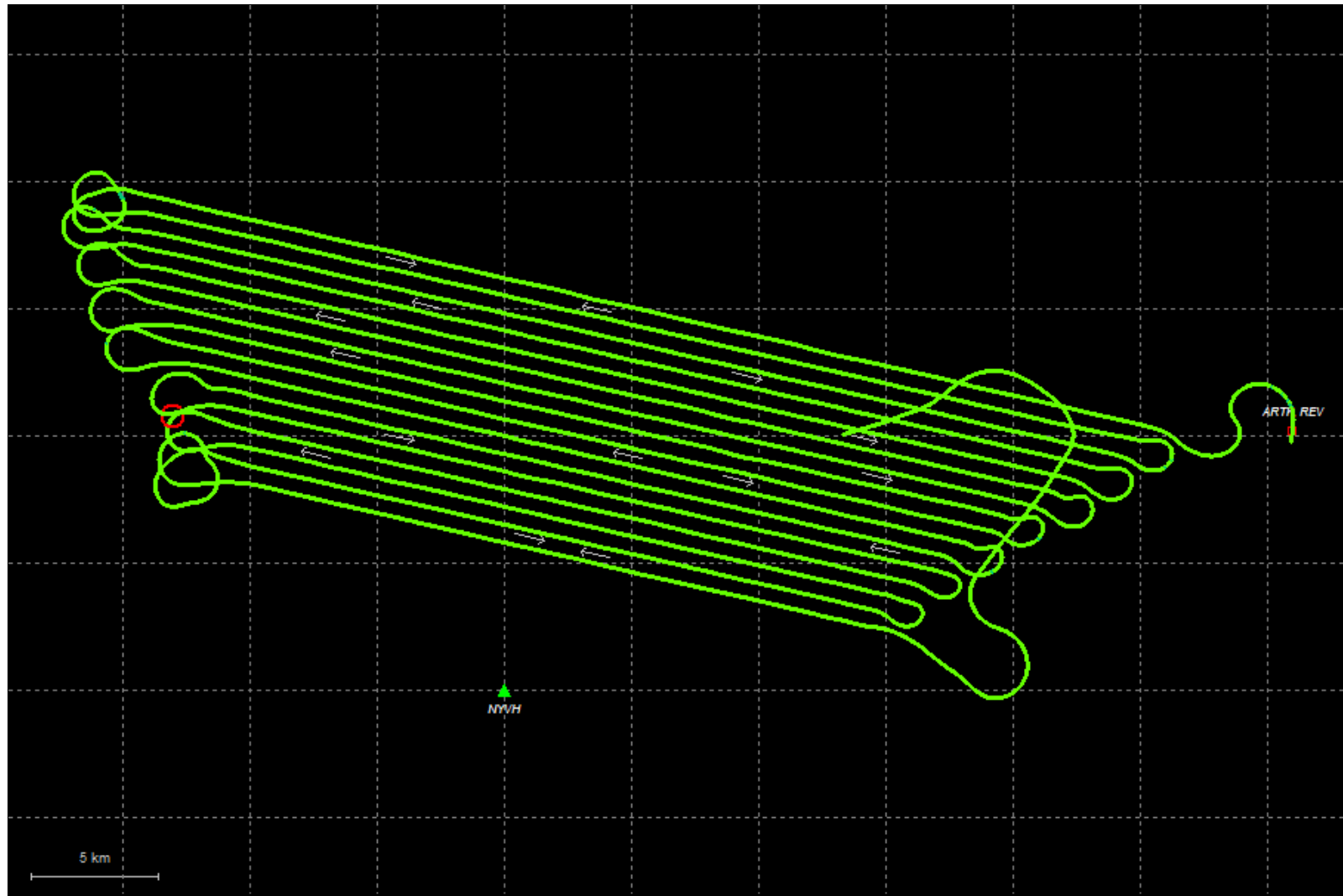


Output Results for Dewberry_NY_3DEP_20190423_192653

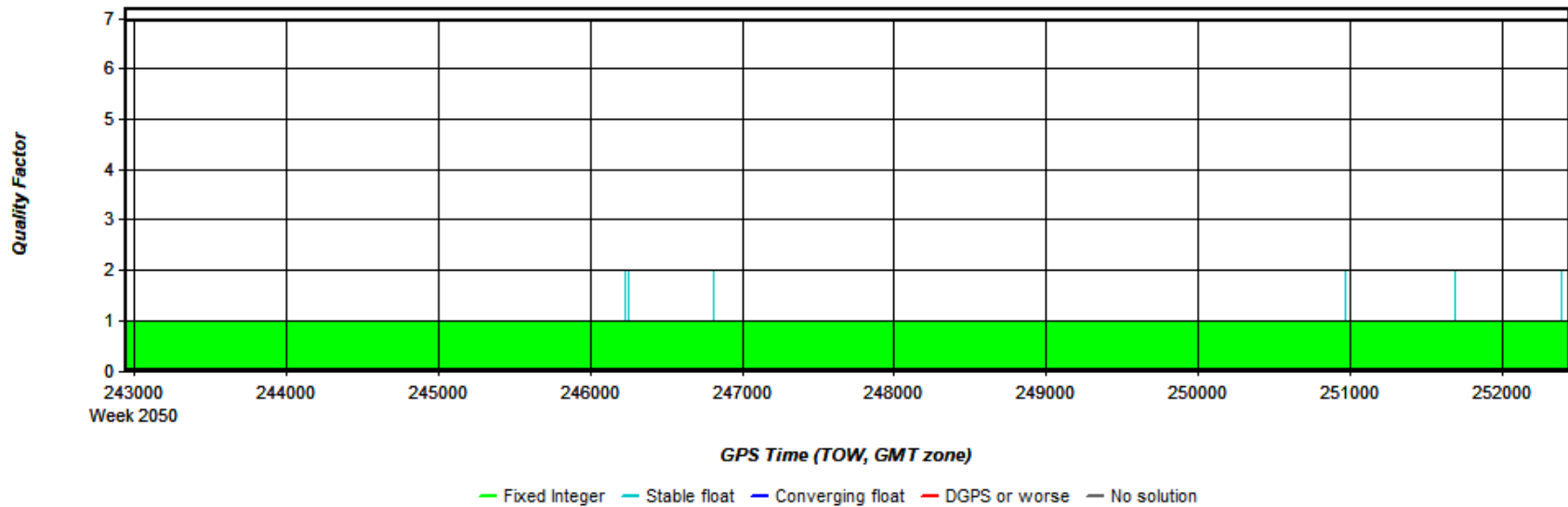
Inertial Explorer Version 8.80.2305
04/26/2019

Figure 1: Smoothed TC Combined - Map



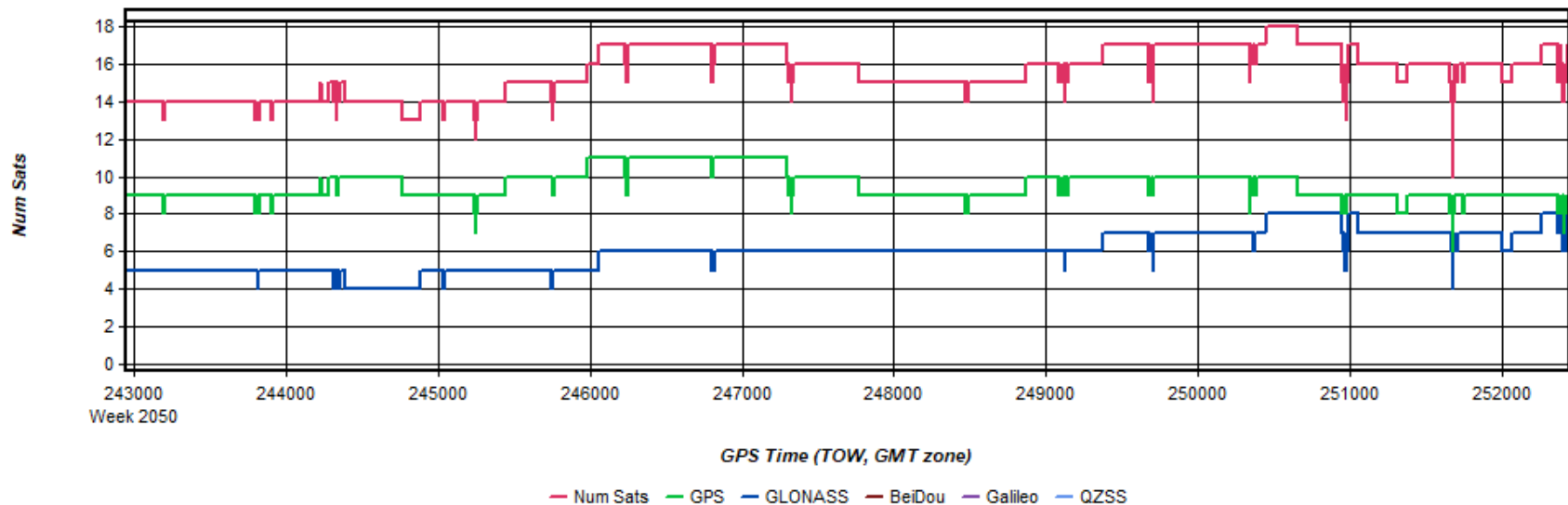
Process	Dewberry_NY_3DEP_20190423_192653	by Unknown	on 4/26/2019	at 13:37:29
---------	----------------------------------	------------	--------------	-------------

Figure 2: Dewberry_NY_3DEP_20190423_192653 [Smoothed TC Combined] - Quality Factor Plot



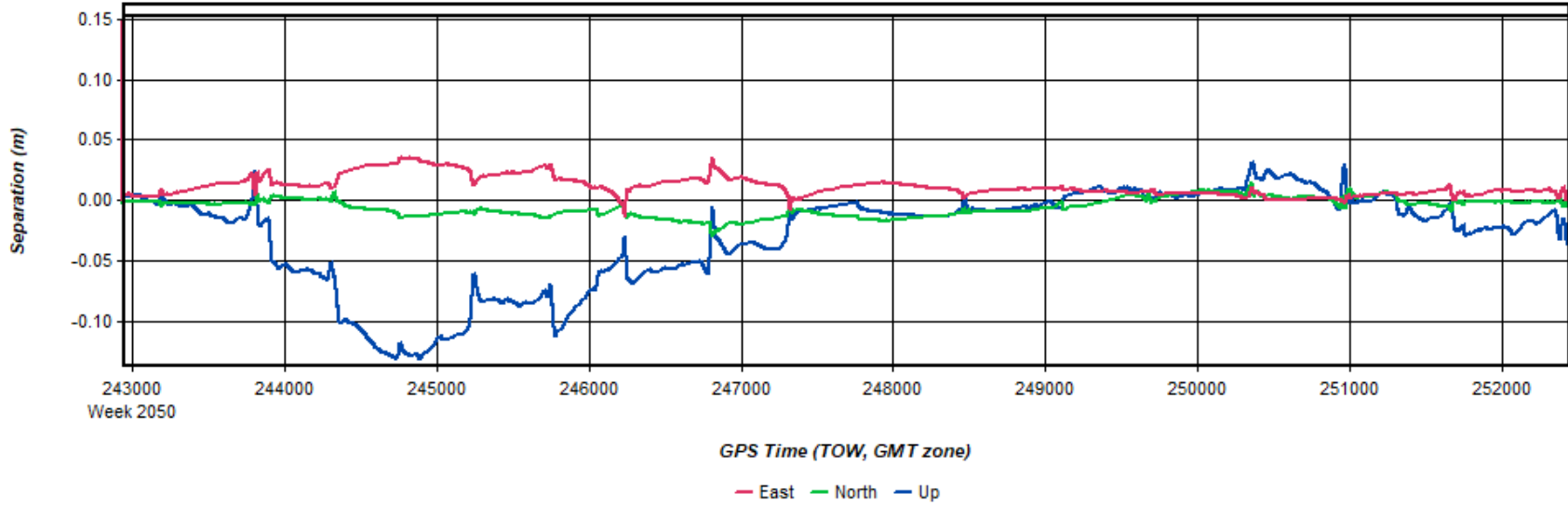
Process	Dewberry_NY_3DEP_20190423_192653	by Unknown	on 4/26/2019	at 13:37:29
---------	----------------------------------	------------	--------------	-------------

Figure 3: Dewberry_NY_3DEP_20190423_192653 [Smoothed TC Combined] - Number of Satellites Line Plot



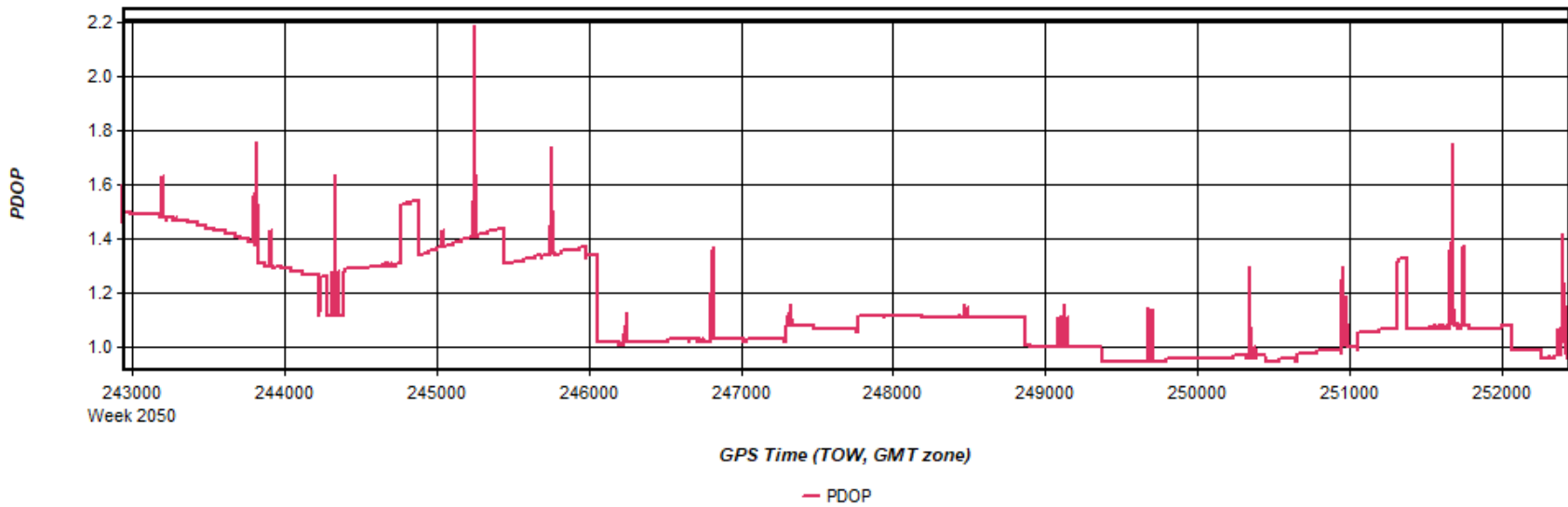
Process	Dewberry_NY_3DEP_20190423_192653	by Unknown	on 4/26/2019	at 13:37:29
---------	----------------------------------	------------	--------------	-------------

Figure 4: Dewberry_NY_3DEP_20190423_192653 [Smoothed TC Combined] - Forward/Reverse or Combined Separation Plot



Process	Dewberry_NY_3DEP_20190423_192653	by Unknown	on 4/26/2019	at 13:37:29
---------	----------------------------------	------------	--------------	-------------

Figure 5: Dewberry_NY_3DEP_20190423_192653 [Smoothed TC Combined] - PDOP Plot



Process	Dewberry_NY_3DEP_20190423_192653	by Unknown	on 4/26/2019	at 13:37:29
---------	----------------------------------	------------	--------------	-------------